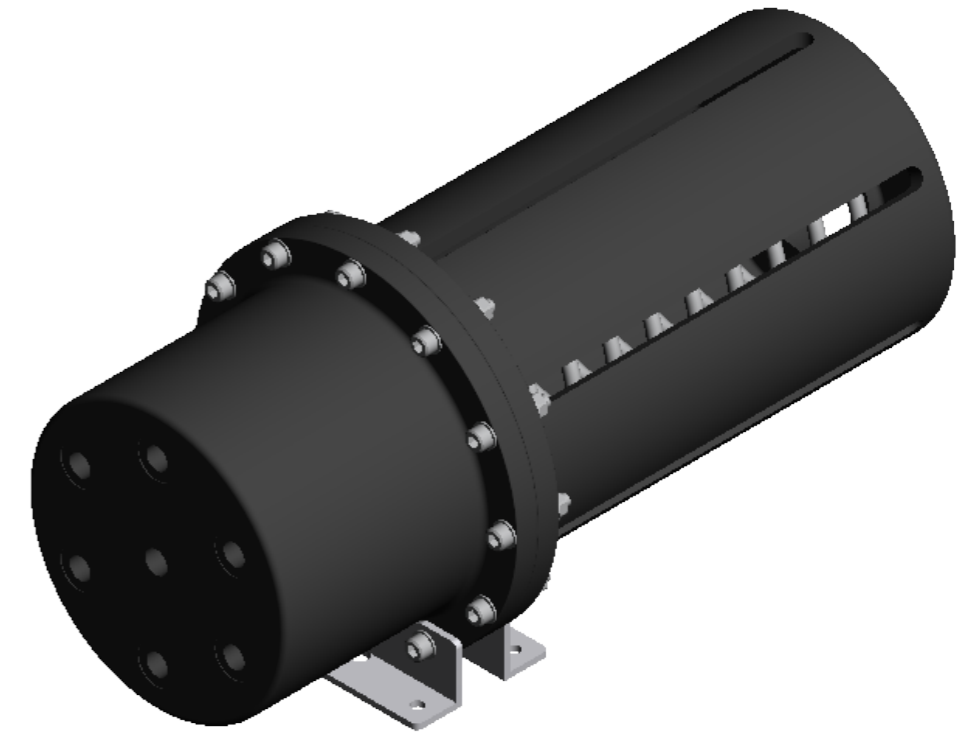
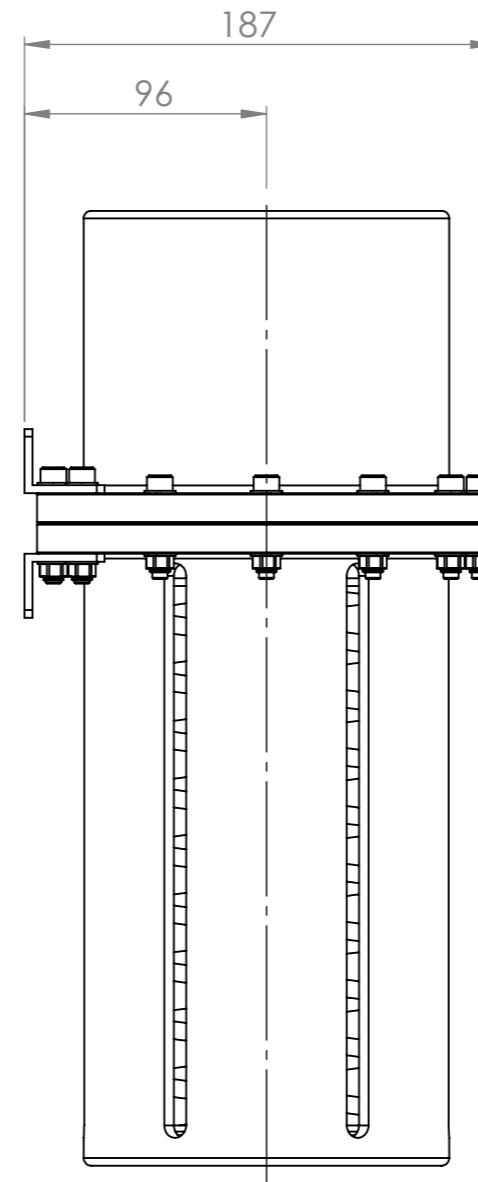
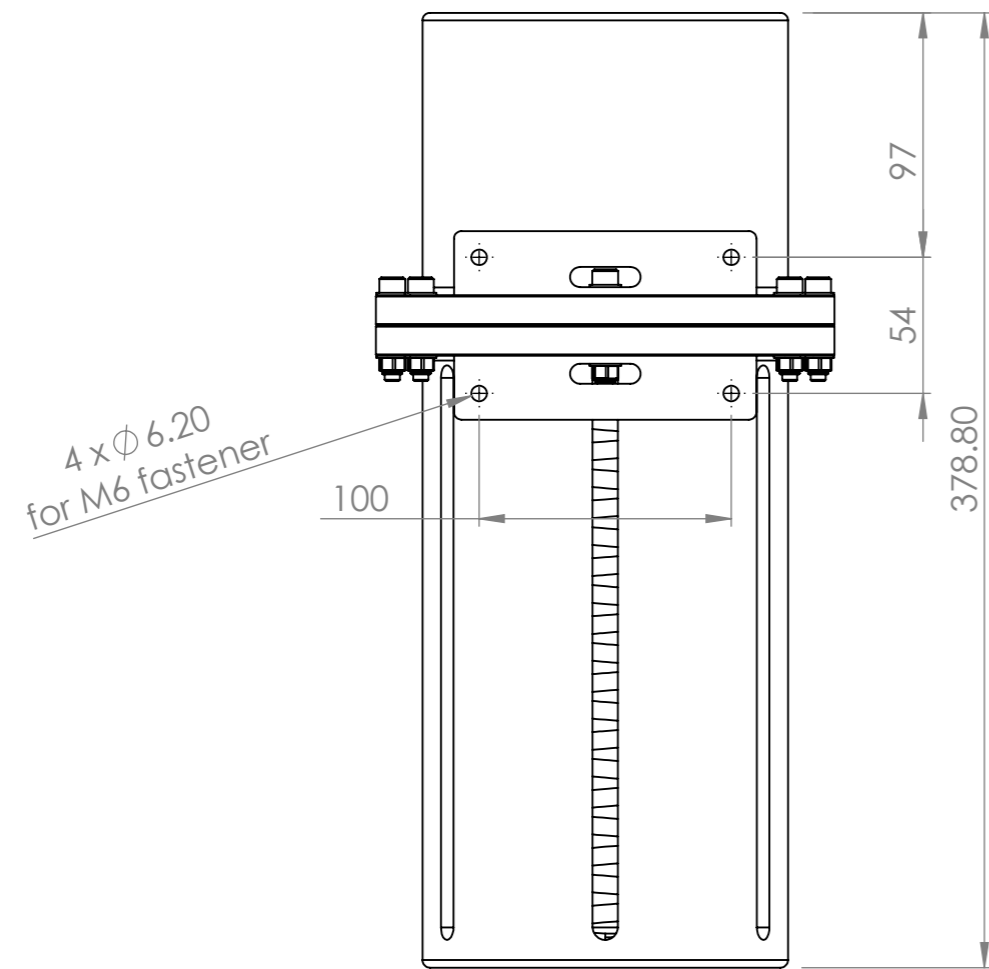
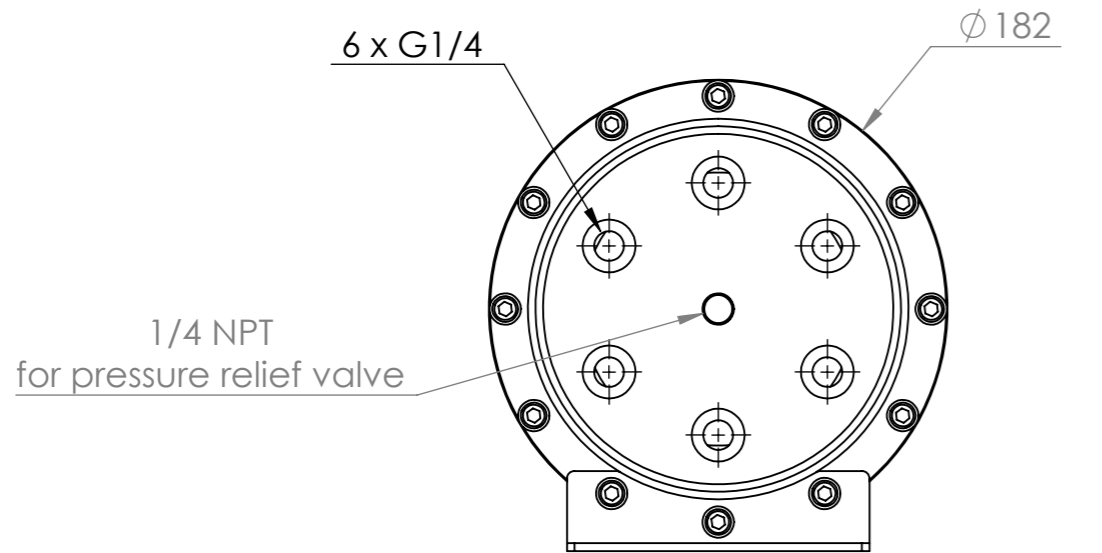


DO NOT SCALE DRAWING
THIRD ANGLE PROJECTION



NOTES

1. Compensator capacity: 2770cc
2. Max working pressure: 1.1bar

| REV | DRAWN | APPV'D | DATE | DESCRIPTION |
|-----|-------|--------|----------|------------------------|
| 1 | DGM | | 18/07/24 | ISSUED FOR INFORMATION |

RECORD OF REVISIONS

Macduff Robotics Ltd
Aberdeen, Scotland.
www.macduff-robotics.com
enquiries@macduff-robotics.com

MATERIAL:

-

FINISH:

-

TOLERANCE:

+/- 0.1mm

WEIGHT:

TITLE:

2770cc Compensator Assembly
6x 1/4 BSPP Port
SHEET 1 OF 1

DWG NO.

GA0015

REVISION

1

SCALE:1:3

A3

DIMENSIONS ARE IN MILLIMETERS, UNLESS OTHERWISE SPECIFIED